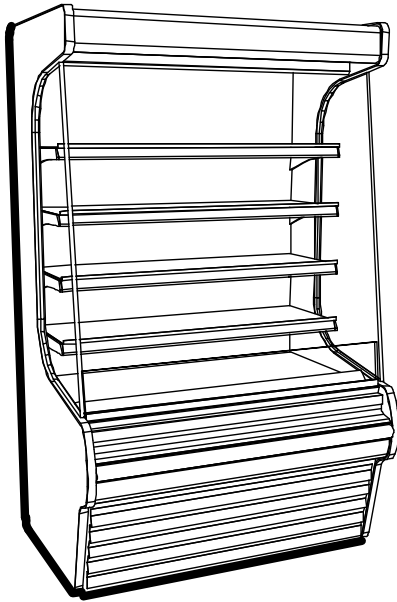




**PRODUCT SPECIFICATIONS**

ITEM NO. \_\_\_\_\_  
 PROJECT: \_\_\_\_\_  
 DATE: \_\_\_\_\_

**78"H Self-Service Refrigerated Merchandiser**



- CO3678R 36"L x 38 1/4"D x 80 1/4"H
- CO4778R 47"L x 38 1/4"D x 80 1/4"H
- CO5978R 59"L x 38 1/4"D x 80 1/4"H
- CO7178R 71"L x 38 1/4"D x 80 1/4"H

**STANDARD FEATURES**

- Compressor air intake through front panel & out rear. Front panel cannot be blocked and unit must remain 4" from wall.
- One T-8 top light with protective coating.
- Integrated average product temperature of 41°F or less.
- One year parts & labor; one to five year compressor warranty.
- Breeze™ refrigeration system.
- 3-1/8"D removable rear wall spacer bracket.
- Shelf/shelves removable and adjustable vertically on 1" centers.
- Removable deck pans provide complete access to evaporator coil and refrigeration connections.

	STANDARD SPECIFICATION	OPTION(S)
END PANEL COLOR	<input type="checkbox"/> Black	<input type="checkbox"/> Wilsonart standard laminates <input type="checkbox"/> Wilsonart premium laminates <input type="checkbox"/> Stainless
HEADER COLOR	<input type="checkbox"/> Black	<input type="checkbox"/> Stainless <input type="checkbox"/> Special paint colors <input type="checkbox"/> Standard paint colors
LOWER FRONT PANEL COLOR	<input type="checkbox"/> Black	<input type="checkbox"/> Stainless <input type="checkbox"/> Special paint colors <input type="checkbox"/> Standard paint colors
UPPER FRONT PANEL COLOR	<input type="checkbox"/> Black	<input type="checkbox"/> Special paint colors <input type="checkbox"/> Standard paint colors <input type="checkbox"/> Wilsonart premium laminates <input type="checkbox"/> Wilsonart standard laminates <input type="checkbox"/> Stainless
UPPER FRONT PANEL STYLE	<input type="checkbox"/> Formed ABS (painted)	<input type="checkbox"/> Flat panel (reduces depth to 32-1/4" w/o rear wall spacer)
UPPER REAR	<input type="checkbox"/> Solid panel (Galvanized)	<input type="checkbox"/> Swinging doors w/lock (matches int. color) <input type="checkbox"/> Swinging doors w/o lock (matches int. color) <input type="checkbox"/> Solid panel (Black)
INTERIOR COLOR	<input type="checkbox"/> Black	<input type="checkbox"/> White <input type="checkbox"/> Stainless
COVER/CURTAIN	<input type="checkbox"/> None	<input type="checkbox"/> Night air curtain <input type="checkbox"/> Locking security cover
REFRIGERATION	<input type="checkbox"/> Self-contained front pull-out/rear air discharge w/straight blade power cord	<input type="checkbox"/> Self-contained rear pull-out/front air discharge w/straight blade power cord <input type="checkbox"/> Remote w/leads
BASE SUPPORT	<input type="checkbox"/> Legs	<input type="checkbox"/> Casters (not available with case to case acrylic end option)
END PANEL LEFT	<input type="checkbox"/> Cutaway w/insulated glass	<input type="checkbox"/> Full w/mirror
END PANEL RIGHT	<input type="checkbox"/> Cutaway w/insulated glass	<input type="checkbox"/> Full w/mirror <input type="checkbox"/> Case to case acrylic panel (only w/flat upper front panel)
SHELVING	<input type="checkbox"/> (4) 15"D non-lighted shelves	<input type="checkbox"/> Magna Bar peghooks (3 levels) <input type="checkbox"/> (5) 15"D non-lighted shelves <input type="checkbox"/> (4) 15"D lighted shelves <input type="checkbox"/> (5) 15"D lighted shelves



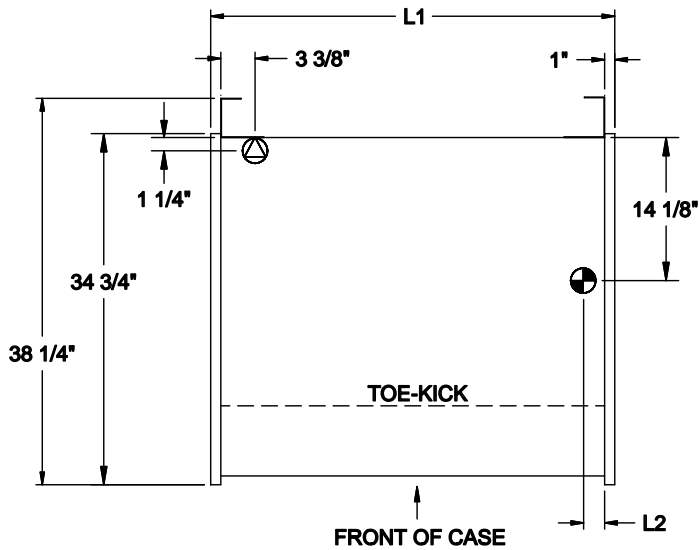
Note: Information is subject to change at any time.

888 Porter Rd. Muskegon, MI 49441 Phone: 231.798.8888 Fax: 231.798.4960 www.structuralconcepts.com

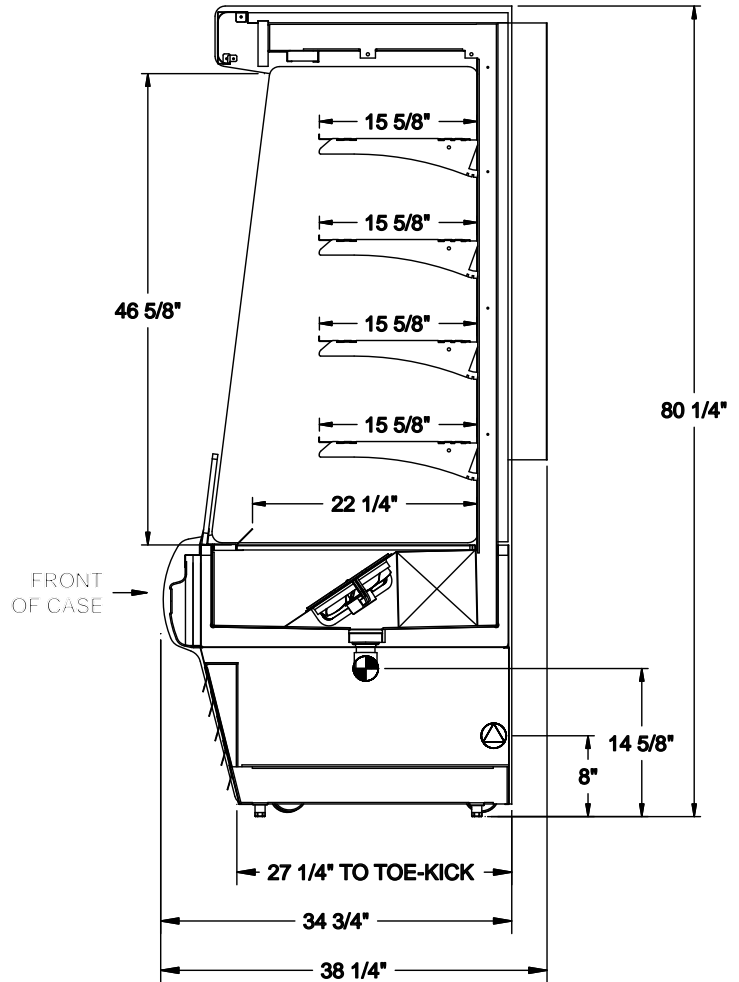
# PRODUCT SPECIFICATIONS

Intended Use of Display Area: Packaged refrigerated products  
 Integrated Product Temperature (IPT): 41°F  
 Intended Environment: Designed to operate in ambient conditions of 75°F / 55% relative humidity.

PLAN VIEW



SIDE VIEW



NOTE: ALL DIMENSIONS APPROXIMATE

- ELECTRICAL JUNCTION BOX (SUPPLIED WITH 6" LEADS OR POWER CORD)
- LOCATION OF CONDENSATE DRAIN TUBE (SUPPLIED WITH 3/4" OR 1/2" PVC DRAIN TUBE)
- PREFERRED LOCATION FOR SERVICE ENTRY
- REFRIGERANT LINE CONNECTION

Model	Self-Contained Refrigeration/Dry					Remote Refrigeration w/Leads			Ship Wt	Frt CIs
	L1*	L2*	Volts++	Amps	NEMA Plug	Volts++	Amps***	BTUH		
CO3678R	36	2 1/8	120/1/60	17.24	NEMA 5-20 P	120/1/60	2.98	5306	825	110
CO4778R	47	2 1/8	220/1/60**	16.28	NEMA 14-20 P	120/1/60	2.98	7990	1000	110
CO5978R	59	2 1/8	220/1/60**	17.2	NEMA 14-20 P	120/1/60	3.15	9360	1025	110
CO7178R	71	2 1/8	220/1/60**	24.02	NEMA 14-30 P	120/1/60	4.22	11042	1200	110

++ Operating range for 120 volt rating is 110-120 volts; operating range for 220 volt rating is 208-230 volts.

\*\* Requires 3 wires + ground

\*\*\* Does not include electric defrost on freezer models

REGULATORY APPROVALS

- UL Sanitation in Accordance w/ NSF Std 7
- UL/cUL Listed

**Important Note:**

Compressor air ventilation is out the rear. Unit must remain 4" from the wall and front panel cannot be blocked.

**Important Note:**

This unit includes 3 1/8" removable spacers along the rear. 39 1/4" minimum door entry clearance is required (without shipping skid). 36" minimum door entry is required if spacers are removed.

**Important Note:**

Units are supplied with levelers. They must be adjusted during installation to ensure the unit is level and plumb. Dimensions reflect levelers extended 1 1/4".